



Pall Corporation

USD 1676a(1)

Advanta Gas Filter Housings

Advanta Gas Filter Housings

Advanced housings
for sanitary applications



Advanta Gas Filter Housings

Advanced housings for sanitary applications

This range of 'Pall' filter housings has been specifically designed and engineered for the filtration of air and gases. The design complements the high flow capacities of the **Pall** 'Emflon' range of sterilising gas filter cartridges to ensure reliable and cost efficient filtration.

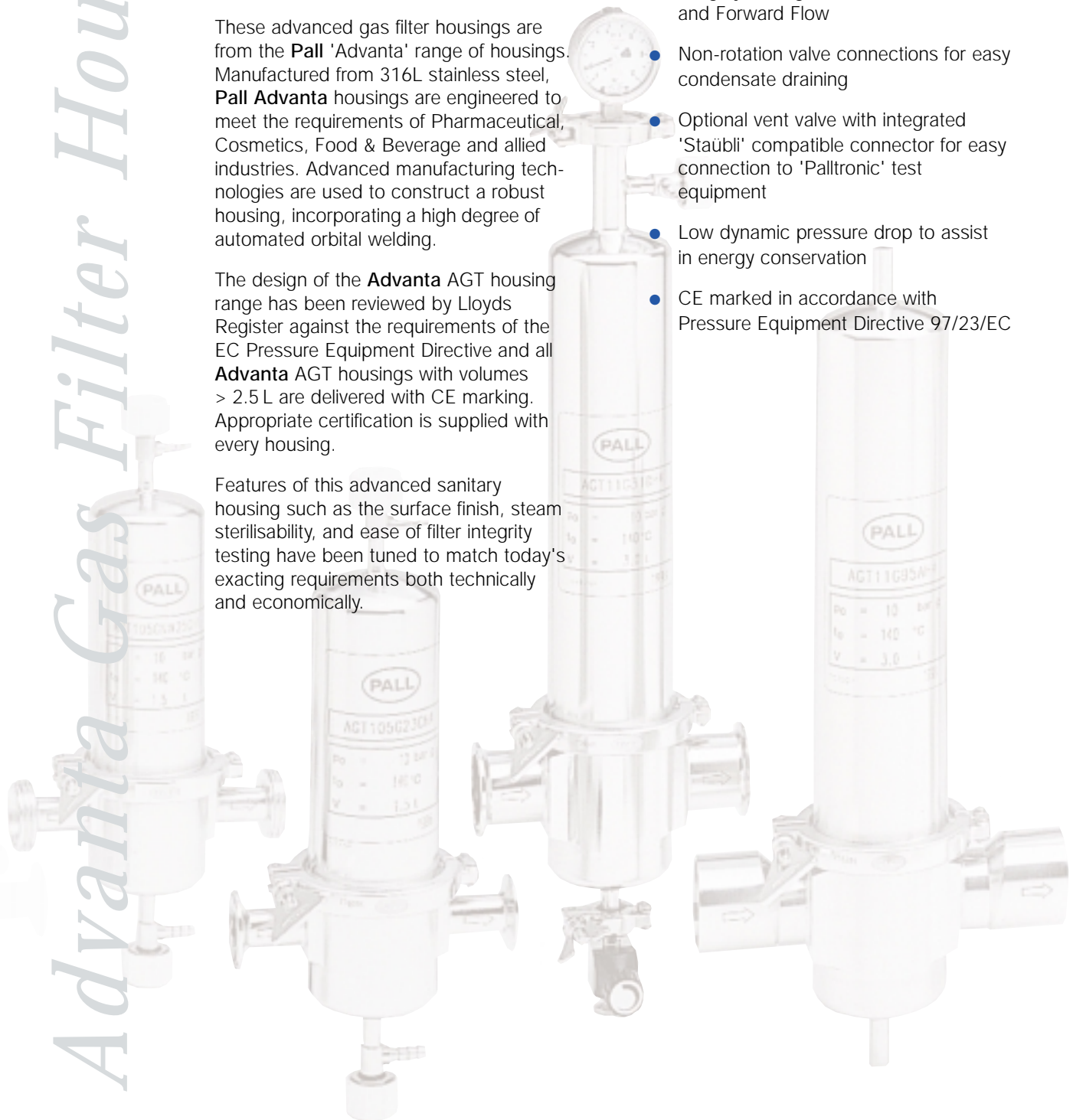
These advanced gas filter housings are from the **Pall** 'Advanta' range of housings. Manufactured from 316L stainless steel, **Pall Advanta** housings are engineered to meet the requirements of Pharmaceutical, Cosmetics, Food & Beverage and allied industries. Advanced manufacturing technologies are used to construct a robust housing, incorporating a high degree of automated orbital welding.

The design of the **Advanta** AGT housing range has been reviewed by Lloyds Register against the requirements of the EC Pressure Equipment Directive and all **Advanta** AGT housings with volumes > 2.5 L are delivered with CE marking. Appropriate certification is supplied with every housing.

Features of this advanced sanitary housing such as the surface finish, steam sterilisability, and ease of filter integrity testing have been tuned to match today's exacting requirements both technically and economically.

Key benefits

- Crevice-free internal surface finish of < 0.4µm Ra is ideal for all sanitary applications
- Designed for in-line steaming and integrity testing with Water Intrusion and Forward Flow
- Non-rotation valve connections for easy condensate draining
- Optional vent valve with integrated 'Stäubli' compatible connector for easy connection to 'Palltronic' test equipment
- Low dynamic pressure drop to assist in energy conservation
- CE marked in accordance with Pressure Equipment Directive 97/23/EC

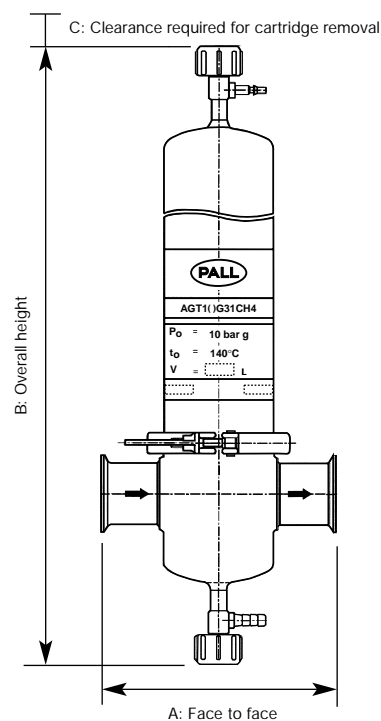


Advanta Gas Filter Housings

Technical Information

Dimensions

Pall Housing Part Number	A(mm)	B(mm)	C (mm)	Weight (kg)	Volume (litres)
AGT105G94EEH4	190	265	180	2.5	1.5
AGT11G95EEH4	190	528	340	3.6	3.0
AGT12G95EEH4	190	779	590	4.4	4.6
AGT13G95EEH4	190	1054	840	5.3	6.2
AGT105GNW25ABH4	190	431	180	2.5	1.5
AGT11GNW50ABH4	190	591	340	3.6	3.0
AGT12GNW50ABH4	190	842	590	4.4	4.6
AGT13GNW50ABH4	190	1117	840	5.3	6.2
AGT105G23ABH4	190	431	180	2.5	1.5
AGT11G31ABH4	190	591	340	3.6	3.0
AGT12G31ABH4	190	842	590	4.4	4.6
AGT13G31ABH4	190	1117	840	5.3	6.2
AGT105G23CDH4	190	391	180	2.5	1.5
AGT11G31CDH4	190	590	340	3.6	3.0
AGT12G31CDH4	190	801	590	4.4	4.6
AGT13G31CDH4	190	1076	840	5.3	6.2

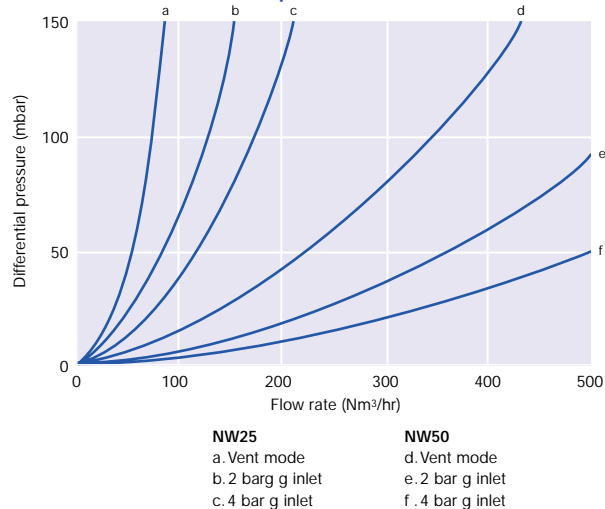


Specification

Maximum Operating Pressure	10 bar g
Maximum Operating Temperature	140°C
Materials of Construction	Wetted parts: AISI 316L stainless steel Clamp: AISI Nitronic 60 O-ring: Silicone - FDA listed
Steam Sterilisable	up to 140°C
Surface Finish	Electropolished, typically <0.4 µm RA value - internal <0.8 µm RA value - external
Inspection Documentation	Test report type 2.3 to EN10204 Conformance to EC PED*

*Housings with volumes > 2.5l only

Flow vs differential pressure*



*The flow pressure drop characteristics refer to empty housings only for air at 20°C. To obtain the pressure drop of a complete assembly, the cartridge pressure drop must be added. Please refer to the relevant cartridge literature or contact Pall.

Ordering Information

Pall Part Number:

AGT1 G H4**

Code	Filter cartridge type
05	AB05/AB02 Code2
1	AB1 Code7
2	AB2 Code7
3	AB3 Code7

Code	Inlet/Outlet
23	1" Triclover compatible to ISO 2852
NW25	NW25 to DIN 11851
94	ISO butt weld 33.7x2.0mm to ISO 1127
31	2" Triclover compatible to ISO 2852
NW50	NW50 to DIN 11851
95	ISO butt weld 60.3x2.3 mm to ISO 1127

Code	Vent
A	Sanitary valve with fitting for Stäubli type couplings
B	Sanitary hose barb valve for 8 mm i.d. tubing
C	1½" Triclover compatible with side sanitary valve with fitting for Stäubli type couplings
E	Butt weld 13.5x1.6mm to ISO 1127

Code	Drain
A	Sanitary valve with fitting for Stäubli couplings
B	Sanitary hose barb valve for 8 mm i.d. tubing
D	½" Triclover compatible
E	Butt weld 13.5x1.6 mm

****Seal Material - Silicone elastomer***

*Other materials available upon request
Please contact Pall.

Main Accessories and Spares	
Pall Part Number	Description
ACS0598CM	Diaphragm valve kit for ½" Triclover connection (includes clamp and gasket)
ACS0429EU	Silicone housing closure gasket
ACS0602EM	Valve seals
ACS0457FA	1½" Triclover compatible pressure gauge, -1 to 10 bar g with silicone seal
Further spares and accessories on request	



Pall Corporation

2200 Northern Boulevard
East Hills, New York 11548-1289

800.717.7255 toll free
516.484.5400 phone
516.625.3610 fax
pharmafilter@pall.com e-mail

Europa House, Havant Street
Portsmouth PO1 3PD, United Kingdom
+44 (0)23 9230 3303 phone
+44 (0)23 9230 2506 fax
UltrafineUK@pall.com e-mail

Visit us on the web at www.pall.com/biopharmaceutical

Select- A-FAX* 800.664.7255

for the latest information delivered to any fax machine, anywhere in the world. This automatic system operates 24 hours a day, seven days a week. Call 1.516.942.0523 from outside the USA.

Pall Corporation has offices and plants throughout the world in locations including: Argentina, Australia, Austria, Belgium, Brazil, Canada, China, France, Germany, Hong Kong, India, Indonesia, Ireland, Italy, Japan, Korea, Malaysia, Mexico, the Netherlands, New Zealand, Norway, Poland, Puerto Rico, Russia, Singapore, Spain, South Africa, Sweden, Switzerland, Taiwan, Thailand, United Kingdom, United States and Venezuela. Distributors are located in all major industrial areas of the world.

© Copyright 2001, Pall Europe Ltd. Pall, Pall and Advanta, Palltronic and Emflon are trade marks of Pall Corporation. Filtration, Separation, Solution is a service mark of Pall Corporation.

* indicates a Pall trademark registered in the USA.
Stäubli is a trademark of Stäubli.

**Select-A-Fax is a registered trademark of CyberData, Inc.

Filtration. Separation. Solution.